

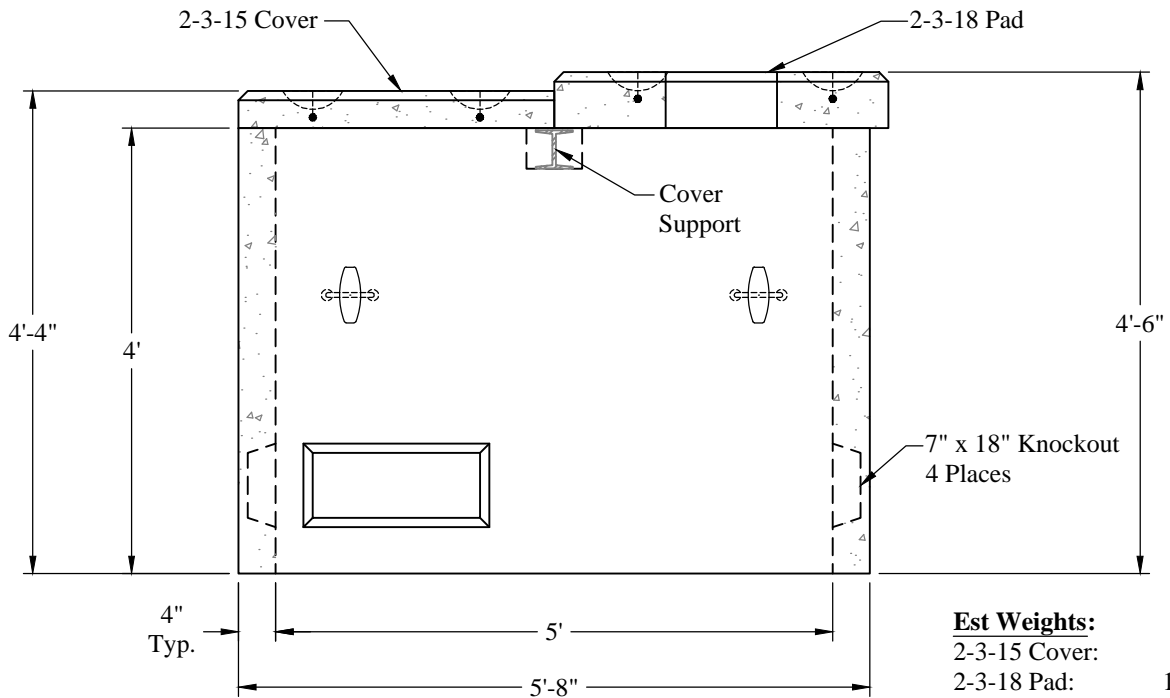
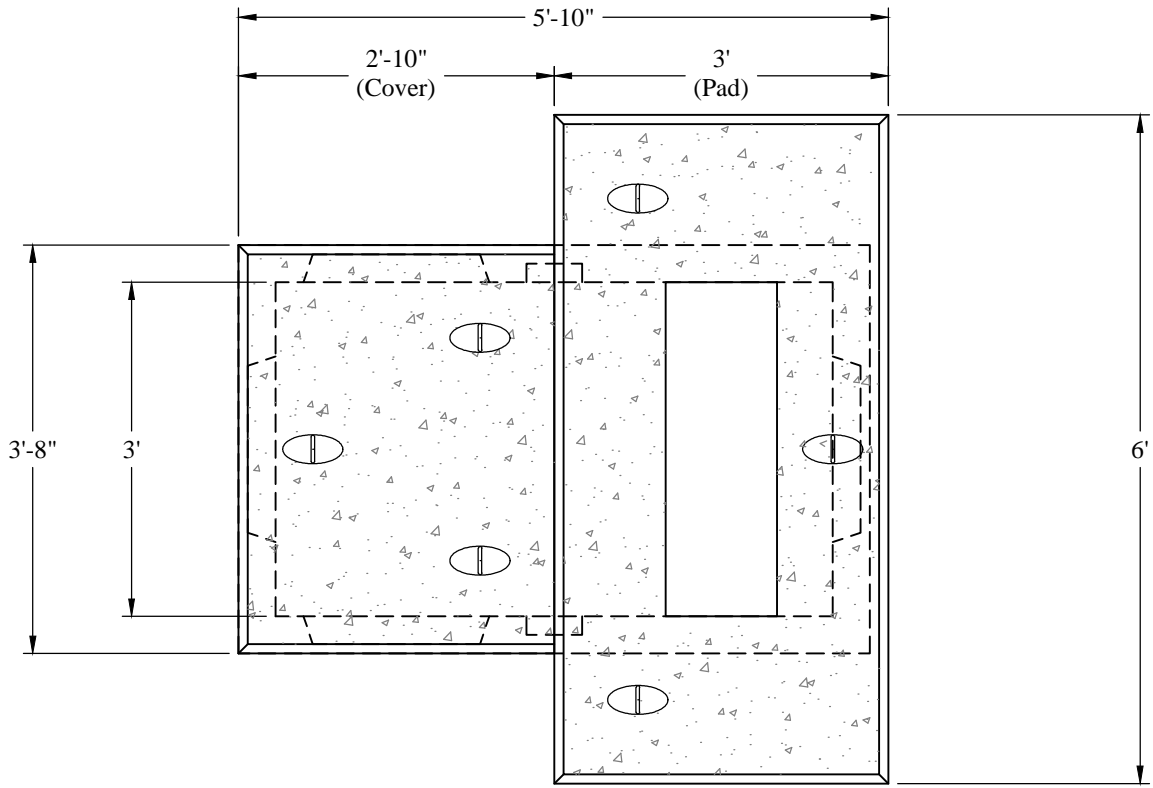
1-800-639-2199

Fax (603) 224-2927

Electrical\Unitil\2-3-15_Assembly_Sales_Rev4

Phoenix Precast Products

Phoenix Precast Products



Est Weights:	
2-3-15 Cover:	550 Lbs
2-3-18 Pad:	1,200 Lbs
Vault:	3,450 Lbs
Total:	5,200 Lbs

General Notes

- Concrete: $f_c = 5,000$ psi @ 28 Days Minimum
- Reinforcement Steel Conforms to:
ASTM A615 Grade 60 Black Deformed Bars

Phoenix
Precast
Products

Unitil 2-3-15
Assembly

P/N: UEH-2315

77 Regional Drive

Concord, NH 03301